

EYING SPIRIT

LATEST DEVELOPMENT

OIL PULSE WRENCH (SHUT-OFF TYPE)

STRAIGHT TYPE

EYPS-50AS-D

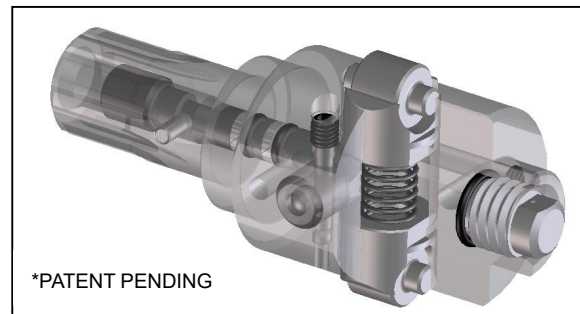


PISTOL TYPE

EYP-50AS-D



a pair of pistons are located in opposed position



*PATENT PENDING

SPECIFICATIONS

Model Name	Bolt Size	Torque Range		Size of Driving End		I.D. of Hose	Weight	RPM under no load		Air Consumption under load at 0.6MPa
		0.4MPa	0.6MPa	mm	inch			0.4 MPa	0.6 MPa	
EYP-50AS-D	M4 - M5	2.5-5.5 Nm	2.5-5.5 Nm	6.35H	1/4H	8.5 mm	0.99 kg	8,400	8,700	0.5 m ³ /min
EYPS-50AS-D	M4 - M5	2.5-5.5 Nm	2.5-5.5 Nm	6.35H	1/4H	8.5 mm	0.96 kg	5,400	5,800	0.4 m ³ /min